

## Start Here ▶▶▶

### System Requirements

- Web UI configuration requires Internet Explorer, Mozilla Firefox or Safari Web Browsers
- Software configuration requires computer w/ CD-ROM drive
- 802.11b, 802.11g or 802.11n Wireless Network

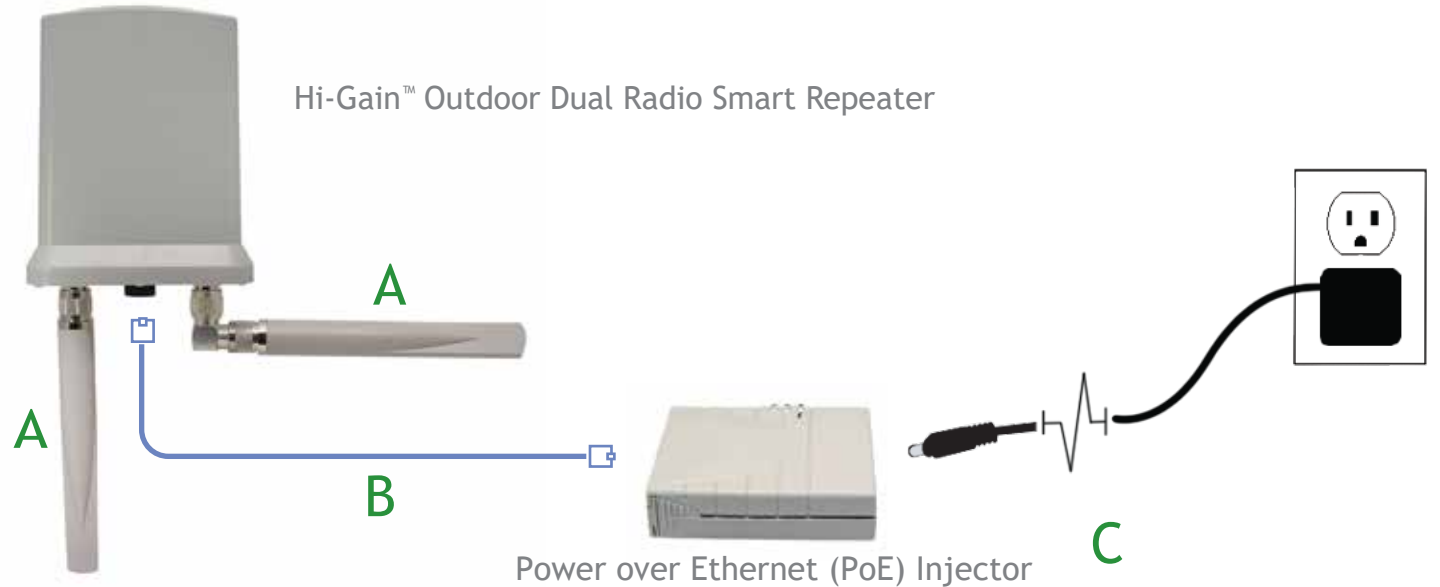
### Check Package Contents

- 1 x Hi-Gain™ Outdoor Wireless-N Dual Radio Smart Repeater
- 2 x Hi-Gain Outdoor Antennas
- 1 x PoE Injector
- 1 x L-shape antenna connector
- 1 x Waterproof Gasket Kit for RJ-45
- 1 x Power Cable and Power Transformer
- 1 x Ethernet Cable
- 1 x Mounting Kit
- 1 x Setup CD-Rom

## 1 Hardware Setup for Initial Configuration

First you must set up the hardware according to the diagram on the right for the initial setup of the Outdoor Smart Repeater. After the initial setup is complete, you may relocate the repeater and mount it in your desired location.

- Attach the antennas to the antenna connectors  
(The L-Shape connector establishes signal diversity. It is highly recommended to use the L-shape connector for optimal wireless performance)
- Attach an Ethernet cable from the PoE Injector port labeled "Power" to the Ethernet Port on the Outdoor Smart Repeater.
- Attach the power adapter and power cable to the PoE Injector



## 2 Accessing the Smart Repeater for Initial Configuration

There are two ways to access the smart repeater: (1) Wireless Connection, or (2) Wired connection.

(1) To access the repeater using a wireless connection: Use a computer with wireless network, connect to the Repeater by searching for the wireless network named: [Outdoor\\_Repeater](#).

(2) To access your repeater using a wired connection, you must connect your computer to the port labeled "LAN" on the PoE Injector using an ethernet cable. Note: LAN port is located next to the power plug. Also, be sure that you have the hardware setup as instructed in Step 1.

### Accessing with your Windows PC (Wireless)

When the "Network Availability" window pops up on the "Start" toolbar, Click on the "Connect to a network" link. Once the "Connect to a network" window opens, Select on the "Outdoor\_Repeater" Network.



### Accessing with your Mac (Wireless)

Click on the "Airport" icon in the "apple" toolbar. Click on the "Outdoor\_Repeater" network from the drop-down menu.



Using the same computer, open a web browser and type in the following web address in the web address bar: <http://192.168.5.220>



Once the page loads, enter the following login information:

Login: [admin](#)  
Password: [1234](#)

Click [Login](#) to continue.

Click [Scan](#) to find your wireless Internet connection. After the list appears, select the connection and click [Connect](#).



If the signal strength is low or your network does not appear, you may need to readjust your location of your Repeater or the position of its antennas. The "Hawking" Logo should face towards the wireless source. Click [Scan](#) to try again. Click [Connect](#) to continue.

## 3 Configuration Settings

The Setup Wizard will now prompt you to automatically configure your IP settings (recommended) and enter a security key\* if the network you are connecting to is an encrypted network. Enter the key and click [Continue](#).

\*If you do not know the security key of the network you are connecting to, consult the network administrator.



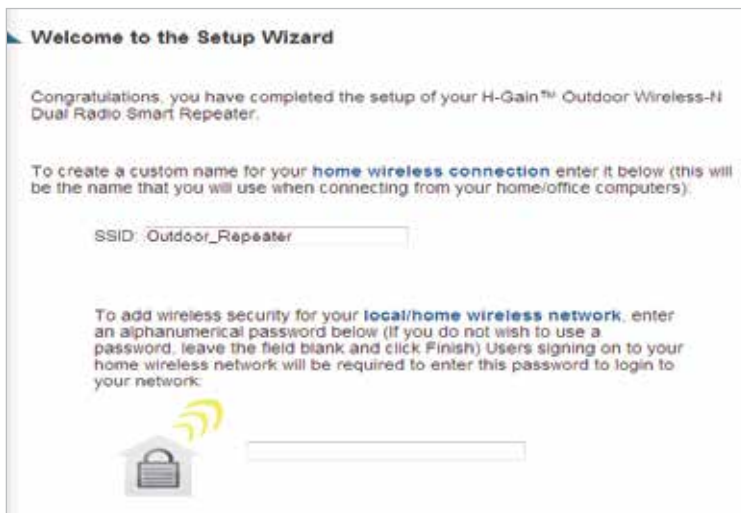
IP Settings



Wireless Security

## 4 Complete Setup

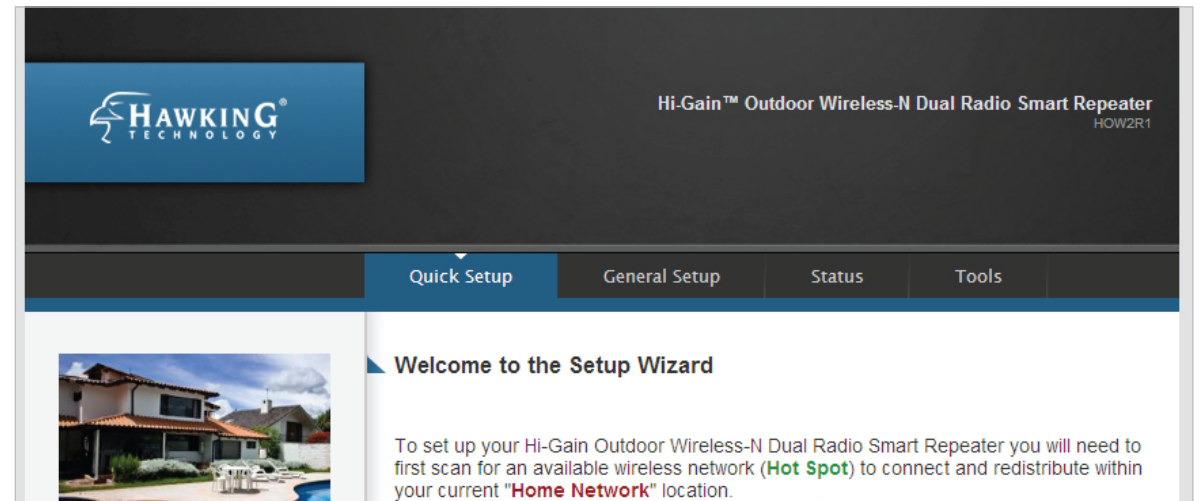
The setup of your Repeater is now complete. If you wish to change the **name (SSID)** of your home/office wireless network (Outdoor\_Repeater) you may do so here.



If you wish to add a **wireless security password** to your home/office network you may enter one here. All users logging in through the Repeater will be required to enter this passcode.

Click **Finish** to complete your setup then click **Apply** to confirm settings and reboot. The wizard will prompt you to test your Internet connection after the system has rebooted.

The HOW2R1 has many additional setup features. To access these settings you may click on any of the main menu tabs located on the interface: **General Setup**, **Status** and **Tools**.



For more information on the advanced features and settings of the Hi-Gain™ Outdoor Wireless-N Dual Radio Smart Repeater please refer to the User's Manual.

## 5 Find an Optimal Installation Location

To obtain the best performance, your Hi-Gain™ Outdoor Wireless-N Dual Radio Smart Repeater should be placed in an optimal location in your home or office. Find a location that is closest to the wireless Internet connection that you are trying to connect to. The Hawking Logo on the front should face the direction of the wireless internet connection.

Before mounting the Repeater, use the configuration setup (Steps 2-4) to ensure the Repeater has found a strong signal to repeat.

**Make sure the Repeater is placed in a location where it can receive a strong signal from the wireless Internet connection you wish to connect to. The Repeater will not work without a signal that it can repeat.**

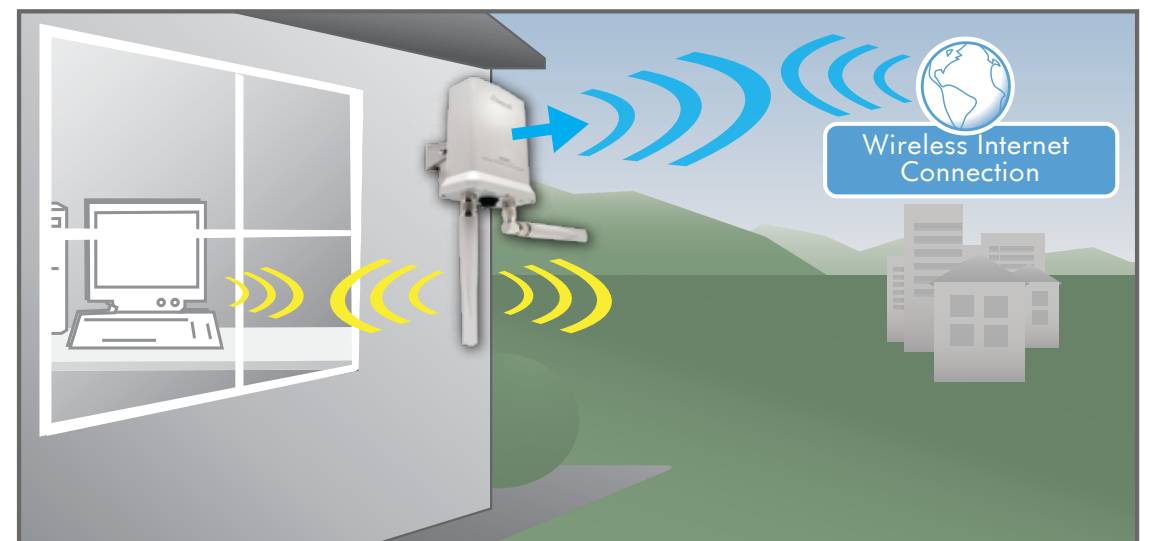
### A. Direct the Outdoor Smart Repeater's Directional Antenna towards the Source of your Wireless Internet Connection

The Internal Hi-Gain Wireless Directional Internet Antenna is designed so that the Hawking logo should be pointed towards your wireless source

*See the diagram to the right for antenna orientation instructions*

### B. Plug in the Power Adapter

When you have completed the physical setup, plug in the included power adapter from the PoE injector in an available power outlet.



- 1 Position the HOW2R1 facing a wireless Internet connection. (Do NOT mount the Repeater until after configuration)
- 2 Scan and connect to an outside wireless network

## 6 Position your Dual Radio Smart Repeater

With the initial configuration complete, you may now mount the Smart Repeater in your desired location.

See the instructions below on how to install the Repeater with the included mounting kit.

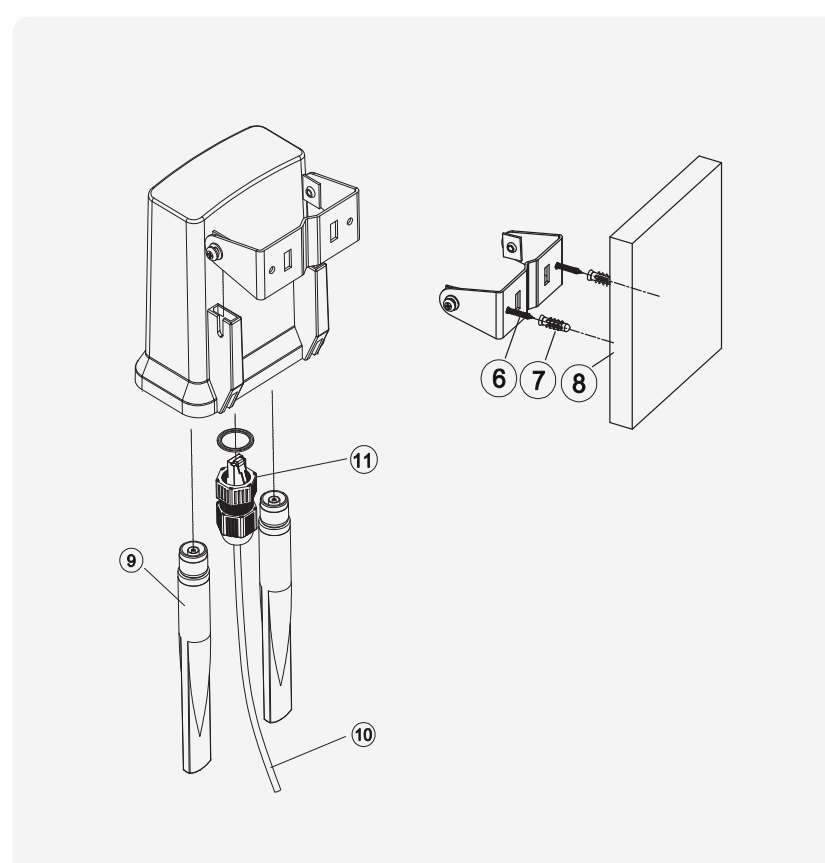
### Mounting and Assembly Instruction

**Note: DO NOT mount your Smart Repeater until you have completed the initial configuration.**

Double check the contents of your mounting kit before you begin installation

1. Square Nut (2 pcs)
2. M5-12 Screw (2 pcs)
3. M Shape Mounting (1 pc)
4. Pole (not included)
5. Hose Clamp (1 pc)
6. Wall Screw (2 pcs)
7. Wall Anchor ( 2 pcs)
8. Wall (not included)
9. Omni-Directional Antenna (2 pcs)
10. RJ-45 Connector (1 pc)
11. Water Proof Gasket Kit for RJ-45 (1 pc)

#### FOR WALL MOUNT



#### FOR POLE MOUNT

